

# Right-angle Dip type male connector for PCB ICM-68M-ST

For PCB

Right-angle Dip

Conforming to PCMCIA/JEITA

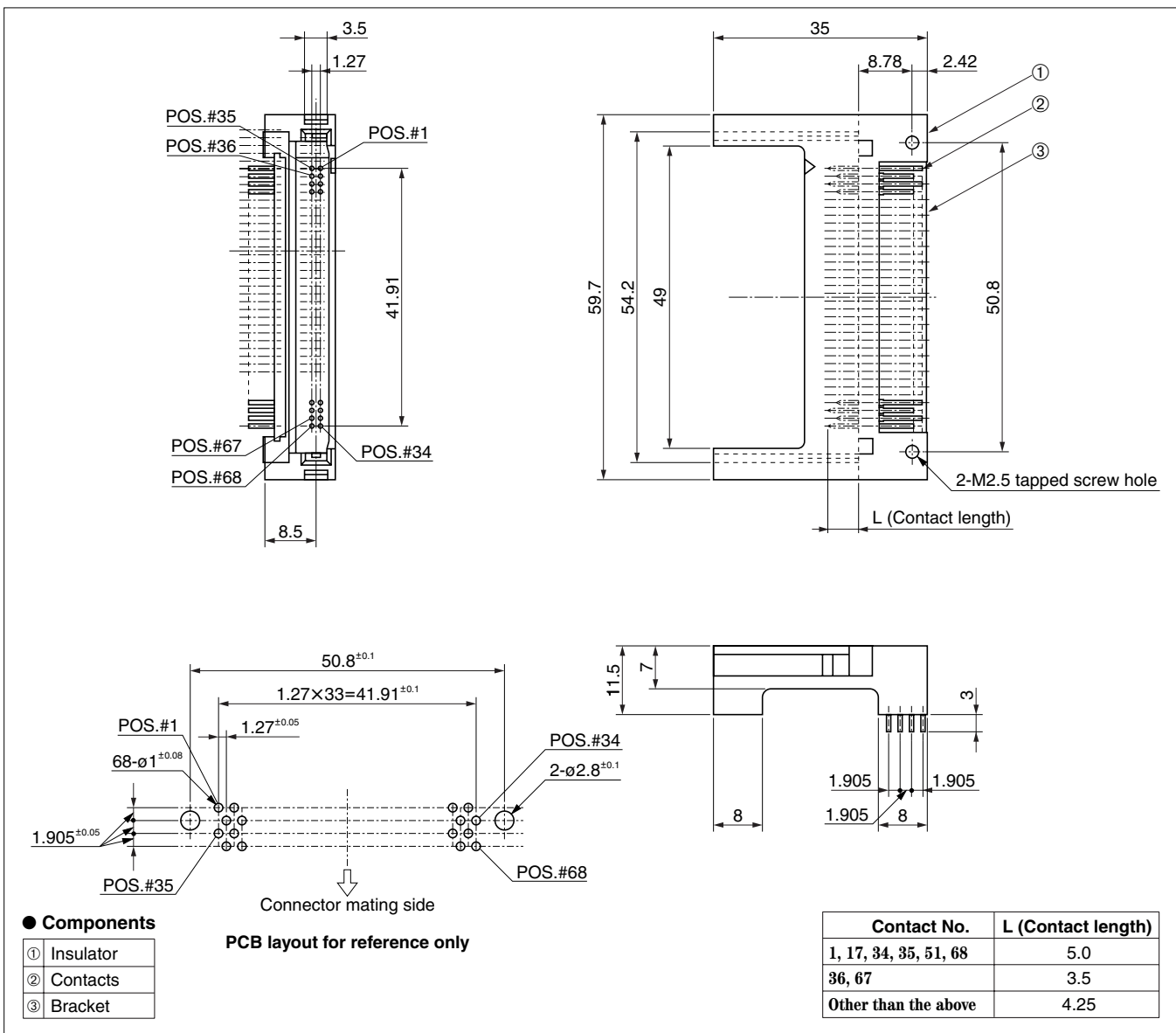


● Configuration of product Part No.

## ICM- 68 M- ST

① ② ③ ④

- ① Series name
- ② No. of contacts: 68
- ③ Type of contact: Right-angle DIP type, male
- ④ With standoff



Mating cards: PC card [with ICM-68F( )]